

SECTION 5

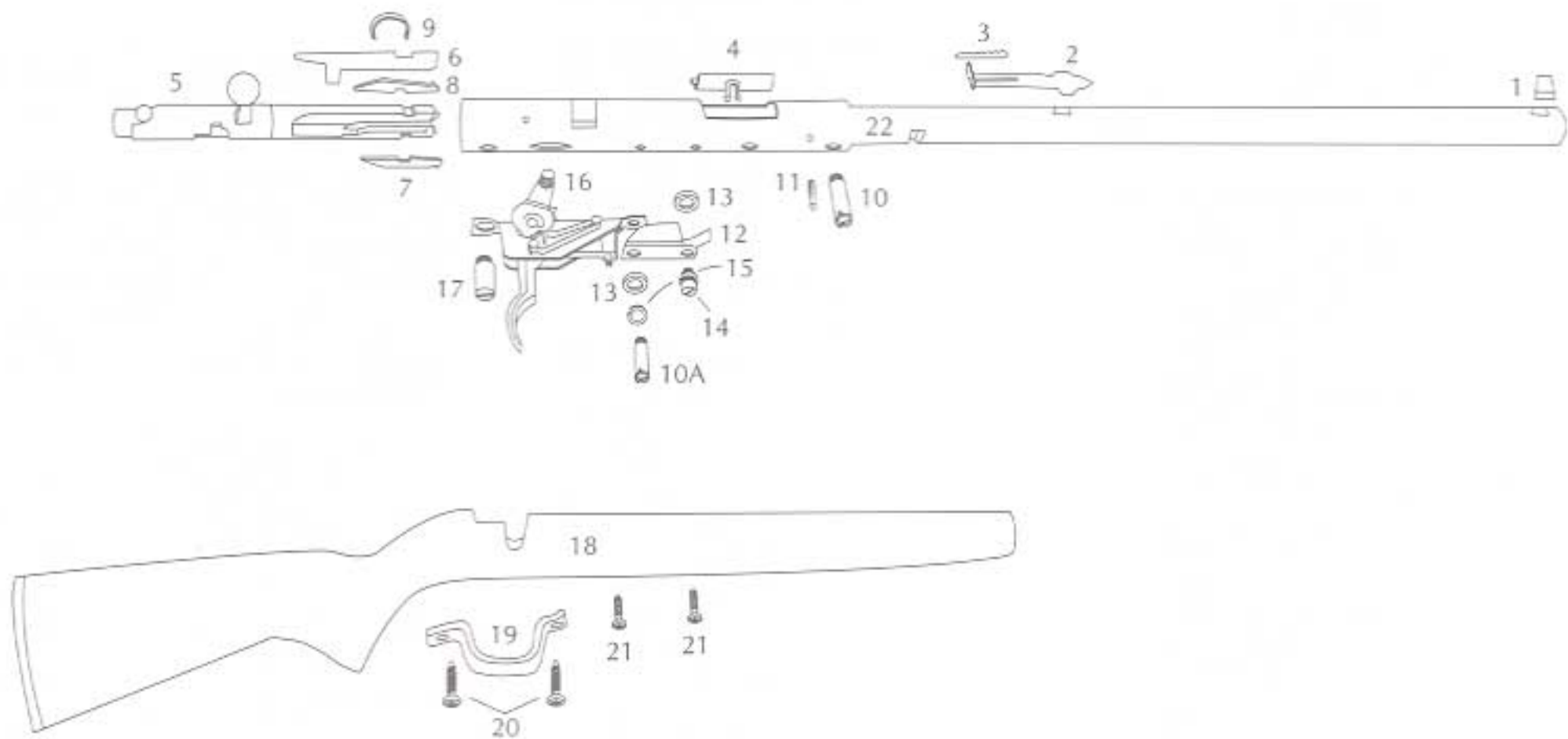
MARK I Series

PARTS MAY BE ORDERED DIRECTLY FROM SAVAGE ARMS [PHONE 413-568-7001] BETWEEN THE HOURS OF 9:00 AND 3:30 (EASTERN STANDARD TIME). THERE IS A MINIMUM ORDER AND PLEASE ALLOW 2 WEEKS FOR DELIVERY.

PLEASE BE ADVISED THAT SOME PARTS MAY REQUIRE FITTING. SAVAGE ARMS BEARS NO RESPONSIBILITY FOR THE FUNCTION OR PERFORMANCE OF ANY FIREARM THAT HAS BEEN REPAIRED OR MODIFIED BY OTHER THAN SAVAGE ARMS SERVICE DEPARTMENT. AS SUCH, SAVAGE ARMS ACCEPTS NO RESPONSIBILITY/ LIABILITY FOR ANY DIRECT AND/OR CONSEQUENTIAL DAMAGE AND/OR INJURY RESULTING FROM THE USE OF A FIREARM REPAIRED OR MODIFIED BY OTHER THAN THE SAVAGE ARMS SERVICE DEPARTMENT.

** RESTRICTED TO FACTORY INSTALLATION ONLY*

#	Description
1	Front sight
2	Rear sight
3	Universal elevator
4	Feed ramp RH Feed ramp LH
*5	Bolt assembly RH Bolt assembly LH
6	Firing pin
7	Extractor RH Extractor LH
8	Cartridge guide RH Cartridge guide LH
9	Extractor spring clip
10	Front stud
10A	Stock assembly stud
11	Receiver pin
12	Bolt guide RH Bolt guide LH
13	Spacer washer (2 req'd)
14	Trigger/mag housing screw
15	Lock washer (2 req'd)
16	Trigger assembly RH Trigger assembly LH
17	Rear stud
18	Stock wood RH Stock wood RH unchecked Stock wood RH youth Stock wood RH youth camo Stock wood RH youth camo unchecked Stock wood RH youth unchecked Stock wood LH Stock wood LH unchecked Stock color laminate RH Stock color laminate RH unchecked
19	Trigger guard
20	Trigger guard/mag plate screw (2 req'd)
21	Stock assembly screw (2 req'd)
*22	Barrel/receiver assembly RH Barrel/receiver assembly RH youth Barrel/receiver assembly RH smooth bore Barrel/receiver assembly LH



MARK I

Not To Scale

SECTION 6

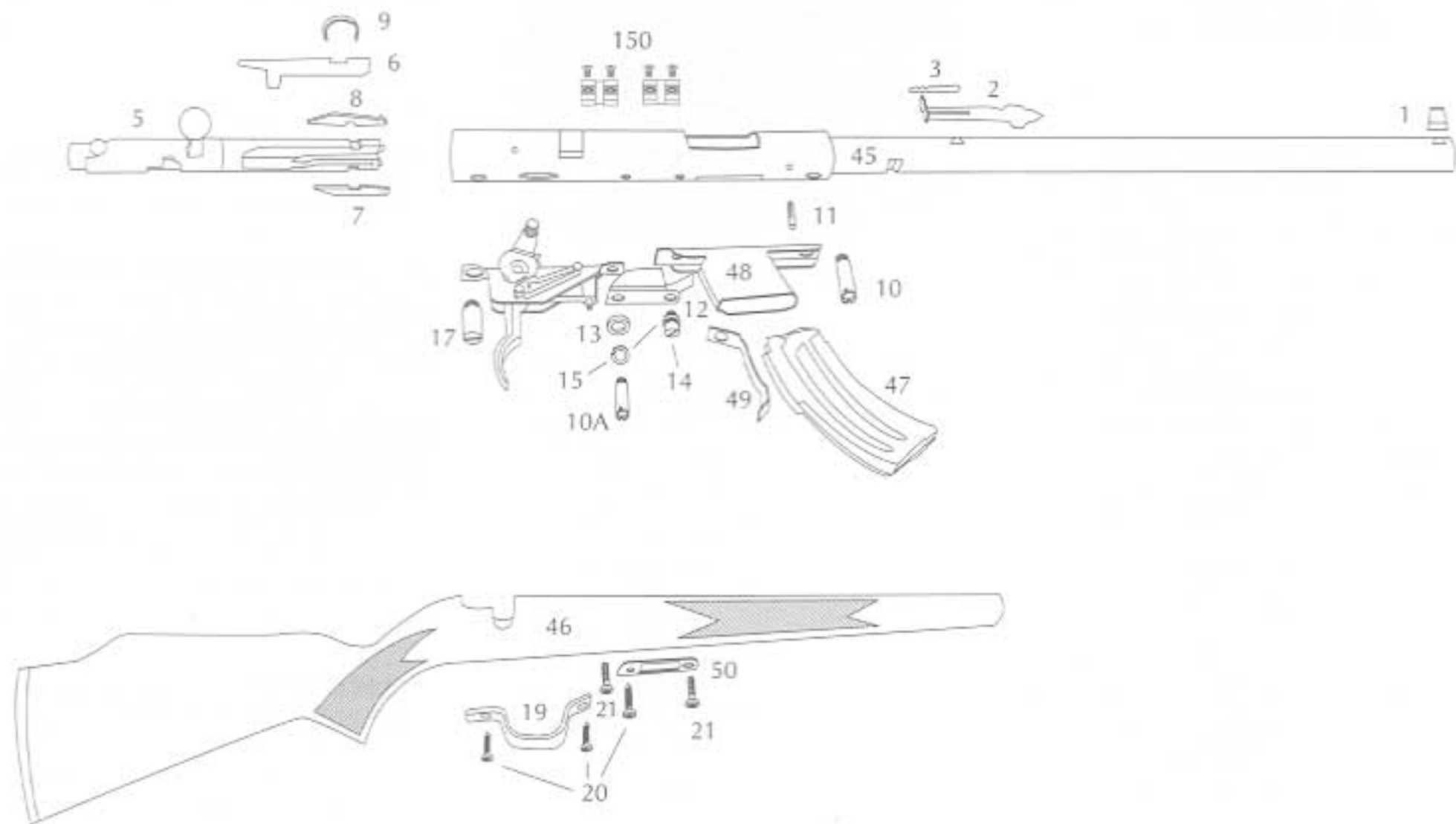
MARK II Series

PARTS MAY BE ORDERED DIRECTLY FROM SAVAGE ARMS [PHONE 413-568-7001] BETWEEN THE HOURS OF 9:00 AND 3:30 (EASTERN STANDARD TIME). THERE IS A MINIMUM ORDER AND PLEASE ALLOW 2 WEEKS FOR DELIVERY.

PLEASE BE ADVISED THAT SOME PARTS MAY REQUIRE FITTING. SAVAGE ARMS BEARS NO RESPONSIBILITY FOR THE FUNCTION OR PERFORMANCE OF ANY FIREARM THAT HAS BEEN REPAIRED OR MODIFIED BY OTHER THAN SAVAGE ARMS SERVICE DEPARTMENT. AS SUCH, SAVAGE ARMS ACCEPTS NO RESPONSIBILITY/LIABILITY FOR ANY DIRECT AND/OR CONSEQUENTIAL DAMAGE AND/OR INJURY RESULTING FROM THE USE OF A FIREARM REPAIRED OR MODIFIED BY OTHER THAN THE SAVAGE ARMS SERVICE DEPARTMENT.

** RESTRICTED TO FACTORY INSTALLATION ONLY*

#	Description	
1	Front sight	
2	Rear sight	
3	Universal elevator	
*5	Bolt assembly RH	*45
	Bolt assembly RH SS	Barrel/receiver assembly RH youth
	Bolt assembly LH	Barrel/receiver assembly RH heavy barrel
6	Firing pin	Barrel/receiver assembly RH SS
7	Extractor RH	Barrel/receiver assembly LH
	Extractor LH	Barrel/receiver assembly LH youth
8	Cartridge guide RH	
	Cartridge guide LH	46
9	Extractor spring clip	Stock wood RH
10	Front stud	Stock wood RH youth
10A	Stock assembly stud	Stock wood RH laminate heavy barrel
11	Receiver pin	Stock wood LH
12	Bolt guide RH	Stock wood LH youth
	Bolt guide LH	Stock synthetic RH
13	Spacer washer	Stock synthetic RH heavy barrel
14	Trigger/mag housing screw (2 req'd)	Stock synthetic RH camo
15	Lock washer (2 req'd)	47
16	Trigger assembly RH	Magazine assembly 5 shot
	Trigger assembly RH (synthetic stock)	Magazine assembly 10 shot
	Trigger assembly RH SS (synthetic stock)	Magazine assembly SS 5 shot
	Trigger assembly LH	Magazine assembly SS 10 shot
17	Rear stud	48
19	Trigger guard	Magazine housing
20	Trigger guard/mag plate screw (3 req'd)	Magazine housing SS
21	Stock assembly screw (2 req'd)	49
		Magazine retaining spring
		Magazine retaining spring SS
		50
		Magazine plate
		150
		Scope base/screws (2 req'd)



MARK II

Not To Scale

SECTION 7

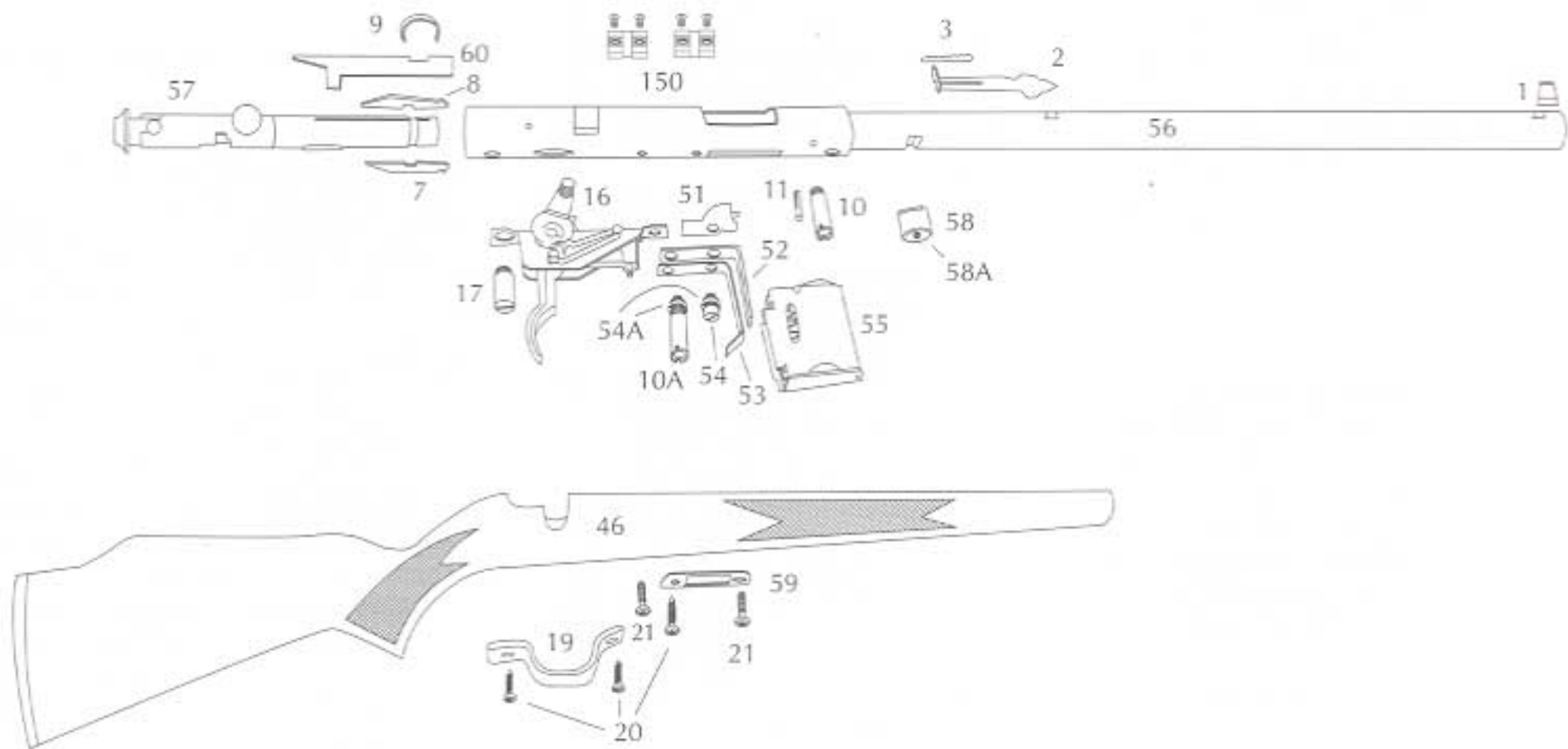
Model 93 Series

PARTS MAY BE ORDERED DIRECTLY FROM SAVAGE ARMS [PHONE 413-568-7001] BETWEEN THE HOURS OF 9:00 AND 3:30 (EASTERN STANDARD TIME). THERE IS A MINIMUM ORDER AND PLEASE ALLOW 2 WEEKS FOR DELIVERY.

PLEASE BE ADVISED THAT SOME PARTS MAY REQUIRE FITTING. SAVAGE ARMS BEARS NO RESPONSIBILITY FOR THE FUNCTION OR PERFORMANCE OF ANY FIREARM THAT HAS BEEN REPAIRED OR MODIFIED BY OTHER THAN SAVAGE ARMS SERVICE DEPARTMENT. AS SUCH, SAVAGE ARMS ACCEPTS NO RESPONSIBILITY/LIABILITY FOR ANY DIRECT AND/OR CONSEQUENTIAL DAMAGE AND/OR INJURY RESULTING FROM THE USE OF A FIREARM REPAIRED OR MODIFIED BY OTHER THAN THE SAVAGE ARMS SERVICE DEPARTMENT.

* RESTRICTED TO FACTORY INSTALLATION ONLY

#	Description	#	Description
1	Front sight	51	Bolt guide RH
2	Rear sight		Bolt guide LH
3	Universal elevator	52	L'bar
7	Extractor RH		L'bar SS
	Extractor LH	53	Magazine retaining spring
8	Cartridge guide RH		Magazine retaining spring SS
	Cartridge guide LH	54	L'bar screw (2 req'd)
9	Extractor spring clip	54A	Lock washer (2 req'd)
10	Front stud	55	Magazine assembly
10A	Stock assembly stud		Magazine assembly SS
11	Receiver pin	*56	Barrel/receiver assembly RH
16	Trigger assembly RH		Barrel/receiver assembly RH heavy barrel SS
	Trigger assembly RH SS		Barrel/receiver assembly RH SS
	Trigger assembly RH		Barrel/receiver assembly LH
	(synthetic stock)		Barrel/receiver assembly .17HMR RH
	Trigger assembly RH SS		Barrel/receiver assembly .17HMR RH SS
	(synthetic stock)		Barrel/receiver assembly .17HMR RH heavy barrel
	Trigger assembly LH		Barrel/receiver assembly .17HMR RH heavy barrel SS
17	Rear stud		Barrel/receiver assembly .17HMR LH heavy barrel
19	Trigger guard	*57	Bolt assembly RH
20	Trigger guard/mag plate screw		Bolt assembly RH SS
	(3 req'd)		Bolt assembly LH
21	Stock assembly screw (2 req'd)	58	Recoil lug
46	Stock wood RH	58A	Recoil lug screw
	Stock wood RH heavy barrel	59	Magazine plate
	Stock wood LH	60	Firing pin
	Stock wood LH heavy barrel	150	Scope base/screws (2 req'd)
	Stock synthetic RH		Scope base/screws SS (2 req'd)
	Stock synthetic RH camo		
	Stock synthetic RH heavy barrel		
	Stock color laminate RH heavy barrel		



Model 93

Not To Scale

SECTION 8**STRIKER Series**

PARTS MAY BE ORDERED DIRECTLY FROM SAVAGE ARMS (PHONE 413-568-7001) BETWEEN THE HOURS OF 9:00 AND 3:30 (EASTERN STANDARD TIME). THERE IS A MINIMUM ORDER AND PLEASE ALLOW 2 WEEKS FOR DELIVERY.

PLEASE BE ADVISED THAT SOME PARTS MAY REQUIRE FITTING. SAVAGE ARMS BEARS NO RESPONSIBILITY FOR THE FUNCTION OR PERFORMANCE OF ANY FIREARM THAT HAS BEEN REPAIRED OR MODIFIED BY OTHER THAN SAVAGE ARMS SERVICE DEPARTMENT. AS SUCH, SAVAGE ARMS ACCEPTS NO RESPONSIBILITY/ LIABILITY FOR ANY DIRECT AND/OR CONSEQUENTIAL DAMAGE AND/OR INJURY RESULTING FROM THE USE OF A FIREARM REPAIRED OR MODIFIED BY OTHER THAN THE SAVAGE ARMS SERVICE DEPARTMENT.

** RESTRICTED TO FACTORY INSTALLATION ONLY*

Description**MODELS 501, 502 & 503**

- | | |
|-----|------------------------------------|
| 1 | Stock assembly screw (2 req'd) |
| 2 | Rear stud |
| 3 | Extractor RH |
| 4 | Cartridge guide RH |
| 5 | Lock washer |
| 6 | Scope base/screws (2 req'd) |
| | Scope base/screws SS (2 req'd) |
| 7 | Stock assembly stud |
| 8 | Trigger assembly LH |
| | Trigger assembly LH SS |
| 9 | Stock synthetic .22LR |
| | Stock synthetic .22WMR/.17HMR |
| 10 | Extractor spring clip |
| *29 | Barrel/receiver assembly .22LR |
| | Barrel/receiver assembly .22WMR |
| | Barrel/receiver assembly .17HMR |
| | Barrel/receiver assembly .17HMR SS |
| 32 | Front stud |

MODEL 501 .22LR

- | | |
|-----|---------------------------|
| 22 | Magazine housing |
| 23 | Magazine assembly |
| 24 | Magazine retaining spring |
| 25 | Trigger/mag housing screw |
| 26 | Bolt guide RH |
| 27 | Firing pin |
| 28 | Spacer washer |
| *30 | Bolt assembly .22LR |

MODEL 502 .22WMR & 503 .17HMR

- | | |
|-----|------------------------------|
| 12 | Recoil lug |
| 12A | Recoil lug screw |
| 13 | L'bar |
| | L'bar SS |
| 14 | Magazine assembly |
| | Magazine assembly SS |
| 15 | Magazine retaining spring |
| | Magazine retaining spring SS |
| 16 | L'bar screw |
| 17 | Bolt guide RH |
| 18 | Firing pin |
| *19 | Bolt assembly .22WMR/.17HMR |
| | Bolt assembly .17HMR SS |